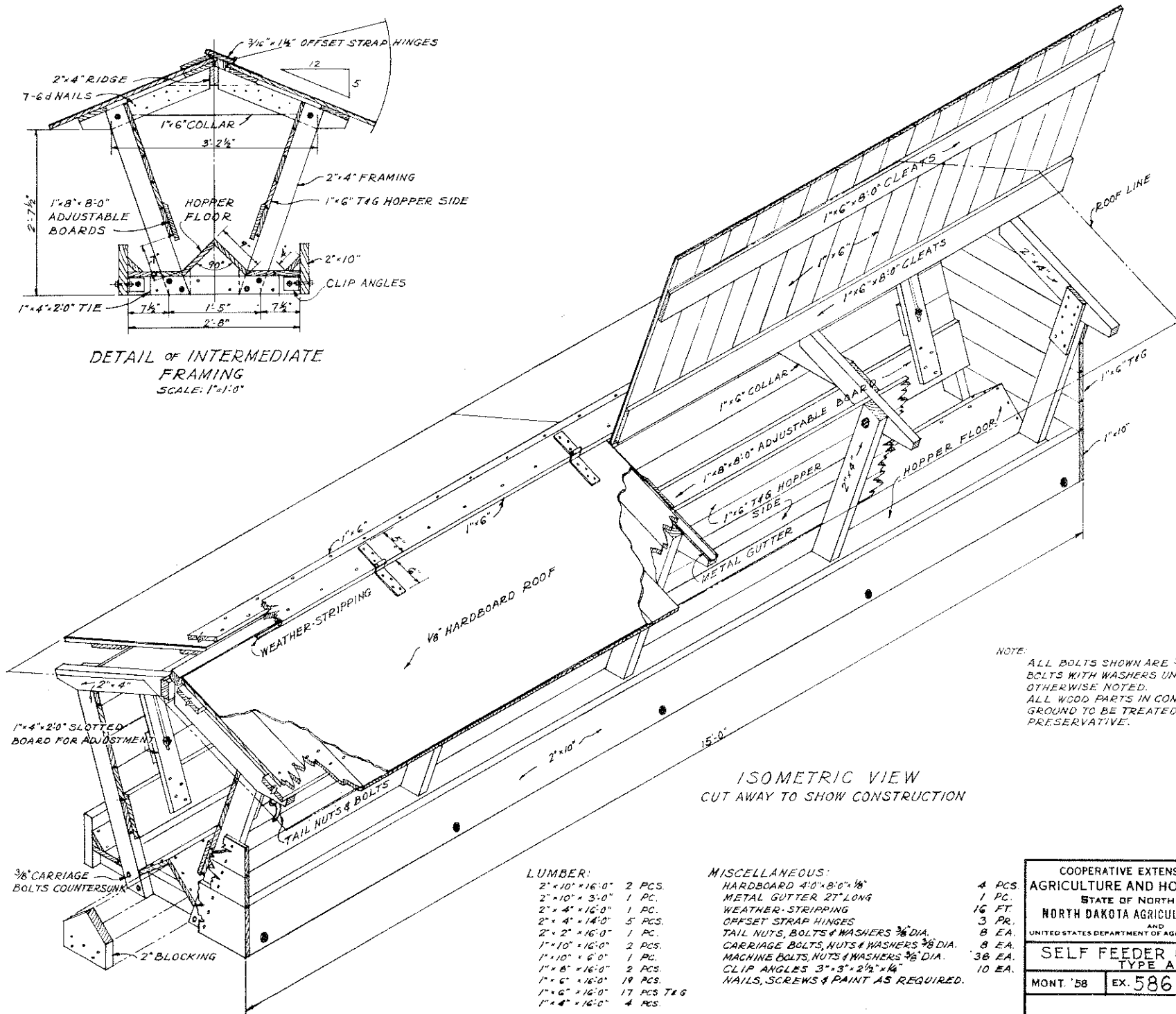
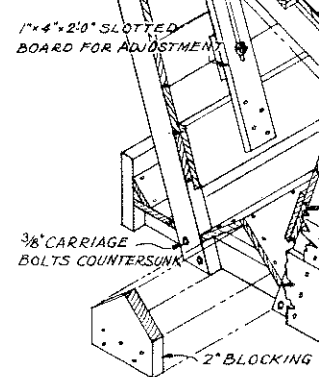


DETAIL OF INTERMEDIATE FRAMING
SCALE: 1"=1'-0"



ISOMETRIC VIEW
CUT AWAY TO SHOW CONSTRUCTION

NOTE:
ALL BOLTS SHOWN ARE 3/8" MACHINE BOLTS WITH WASHERS UNLESS OTHERWISE NOTED.
ALL WOOD PARTS IN CONTACT WITH GROUND TO BE TREATED WITH A PRESERVATIVE.



- LUMBER:
- 2" x 10" x 16'-0" 2 PCS.
 - 2" x 10" x 3'-0" 1 PC.
 - 2" x 4" x 16'-0" 1 PC.
 - 2" x 4" x 14'-0" 5 PCS.
 - 2" x 2" x 16'-0" 1 PC.
 - 1" x 10" x 16'-0" 2 PCS.
 - 1" x 10" x 6'-0" 1 PC.
 - 1" x 8" x 16'-0" 2 PCS.
 - 1" x 6" x 16'-0" 19 PCS.
 - 1" x 6" x 16'-0" 17 PCS T&G
 - 1" x 4" x 16'-0" 4 PCS.

- MISCELLANEOUS:
- HARDBOARD 4'-0" x 8'-0" x 1/8" 4 PCS
 - METAL GUTTER 27' LONG 1 PC.
 - WEATHER-STRIPPING 16 FT.
 - OFFSET STRAP HINGES 3 PR.
 - TAIL NUTS, BOLTS & WASHERS 3/8" DIA. 8 EA.
 - CARRIAGE BOLTS, NUTS & WASHERS 3/8" DIA. 8 EA.
 - MACHINE BOLTS, NUTS & WASHERS 3/8" DIA. 38 EA.
 - CLIP ANGLES 3" x 3" x 2 1/2" x 1/4" 10 EA.
 - NAILS, SCREWS & PAINT AS REQUIRED.

COOPERATIVE EXTENSION WORK IN AGRICULTURE AND HOME ECONOMICS		
STATE OF NORTH DAKOTA		
NORTH DAKOTA AGRICULTURAL COLLEGE		
AND UNITED STATES DEPARTMENT OF AGRICULTURE COOPERATING		
SELF FEEDER FOR SHEEP		
TYPE A		
MONT. '58	EX. 5861	SHEET 1 OF 1