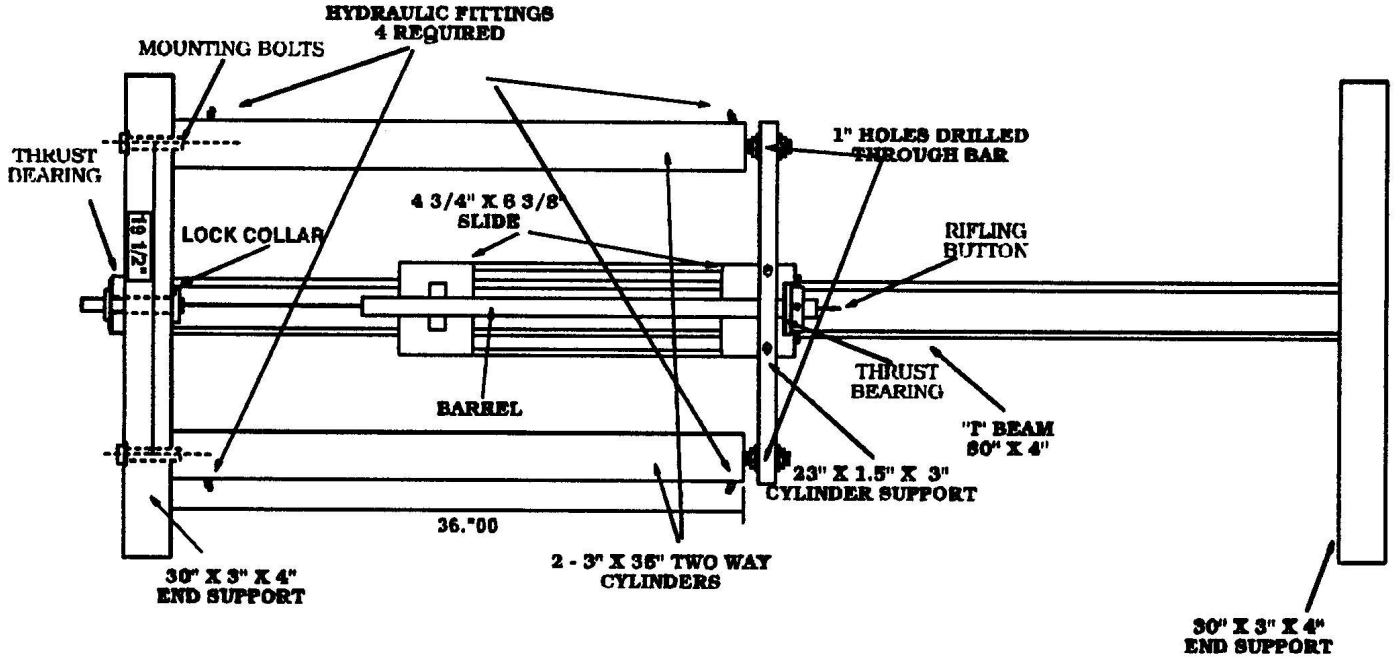
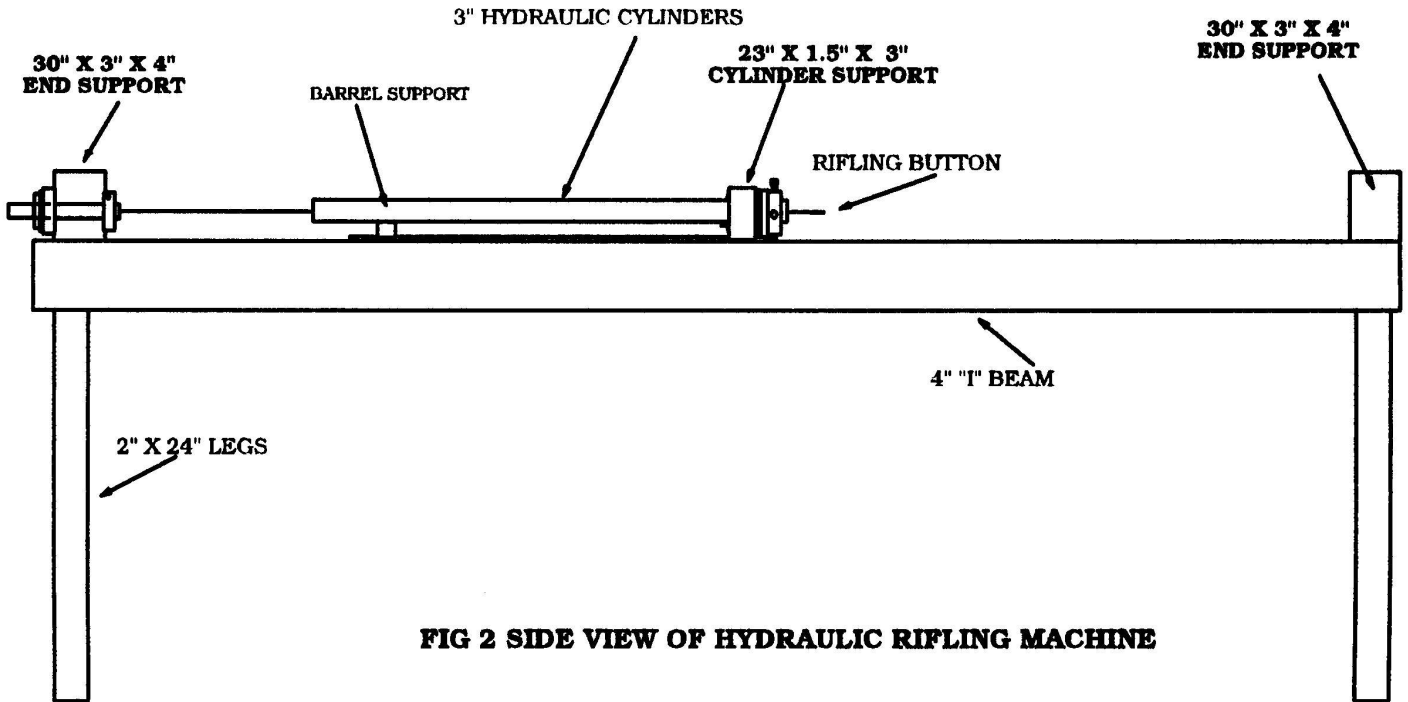


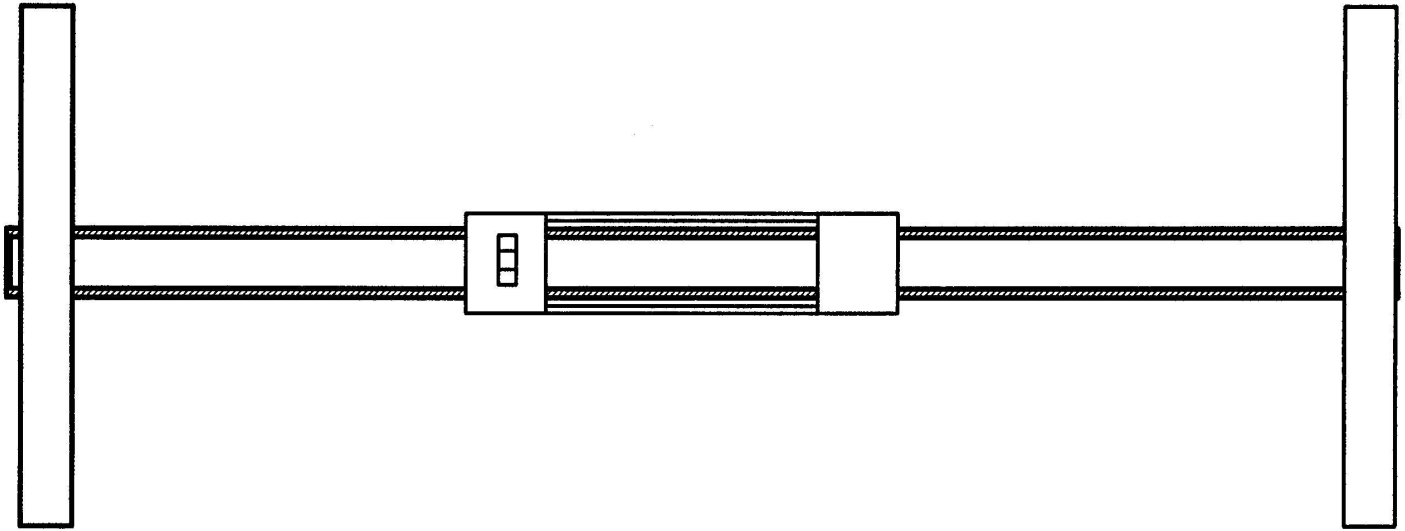
**BUTTON RIFLE GRAPHICS**



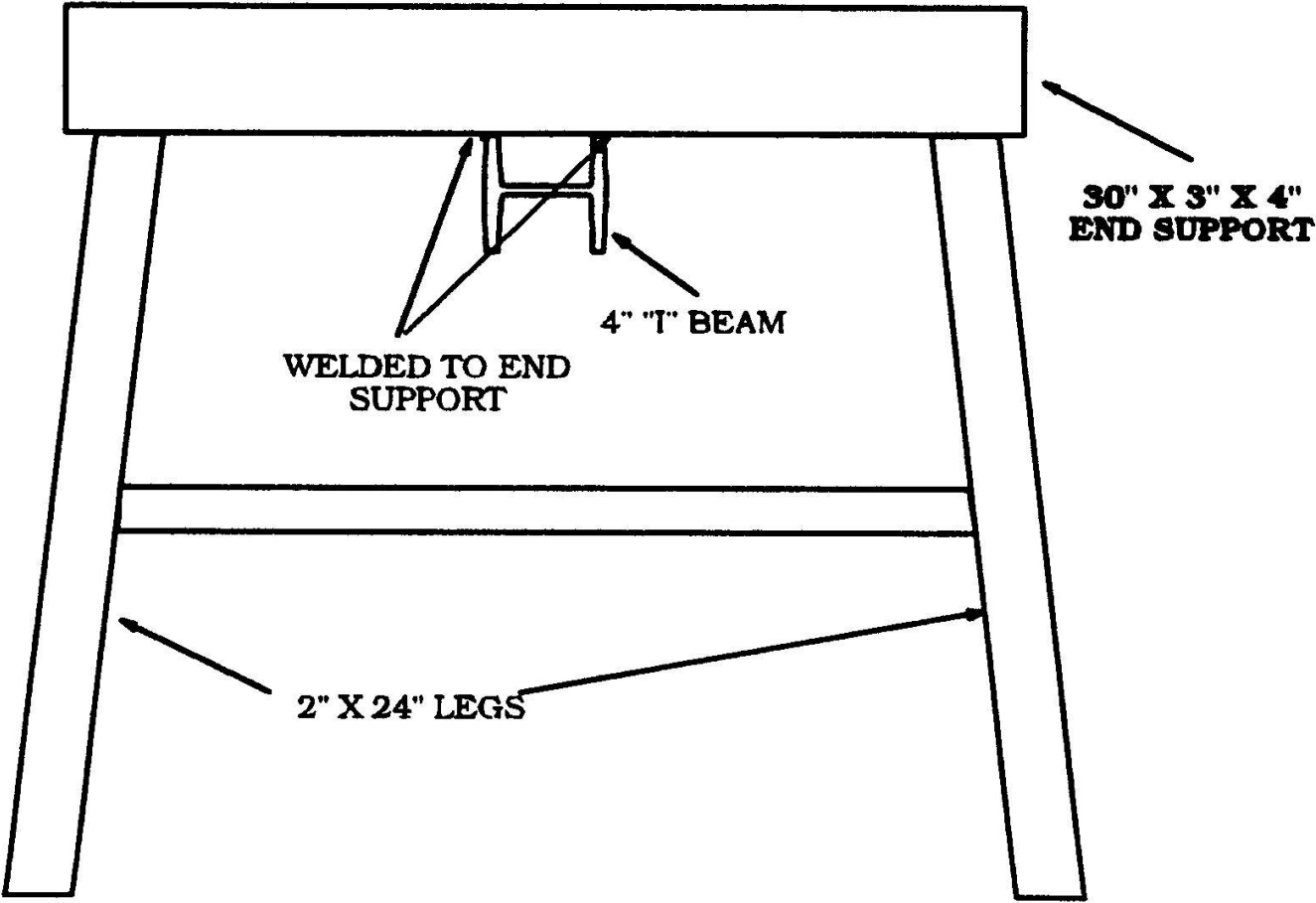
**FIG. 1 TOP VIEW OF HYDRAULIC RIFLING MACHINE**



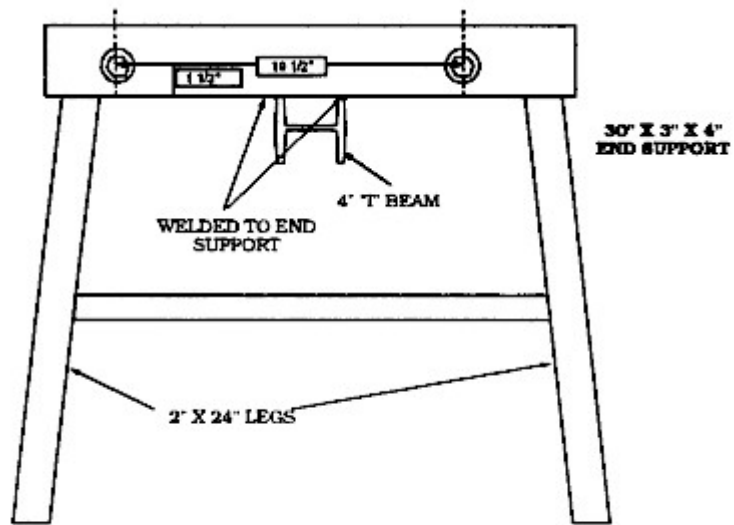
**FIG 2 SIDE VIEW OF HYDRAULIC RIFLING MACHINE**



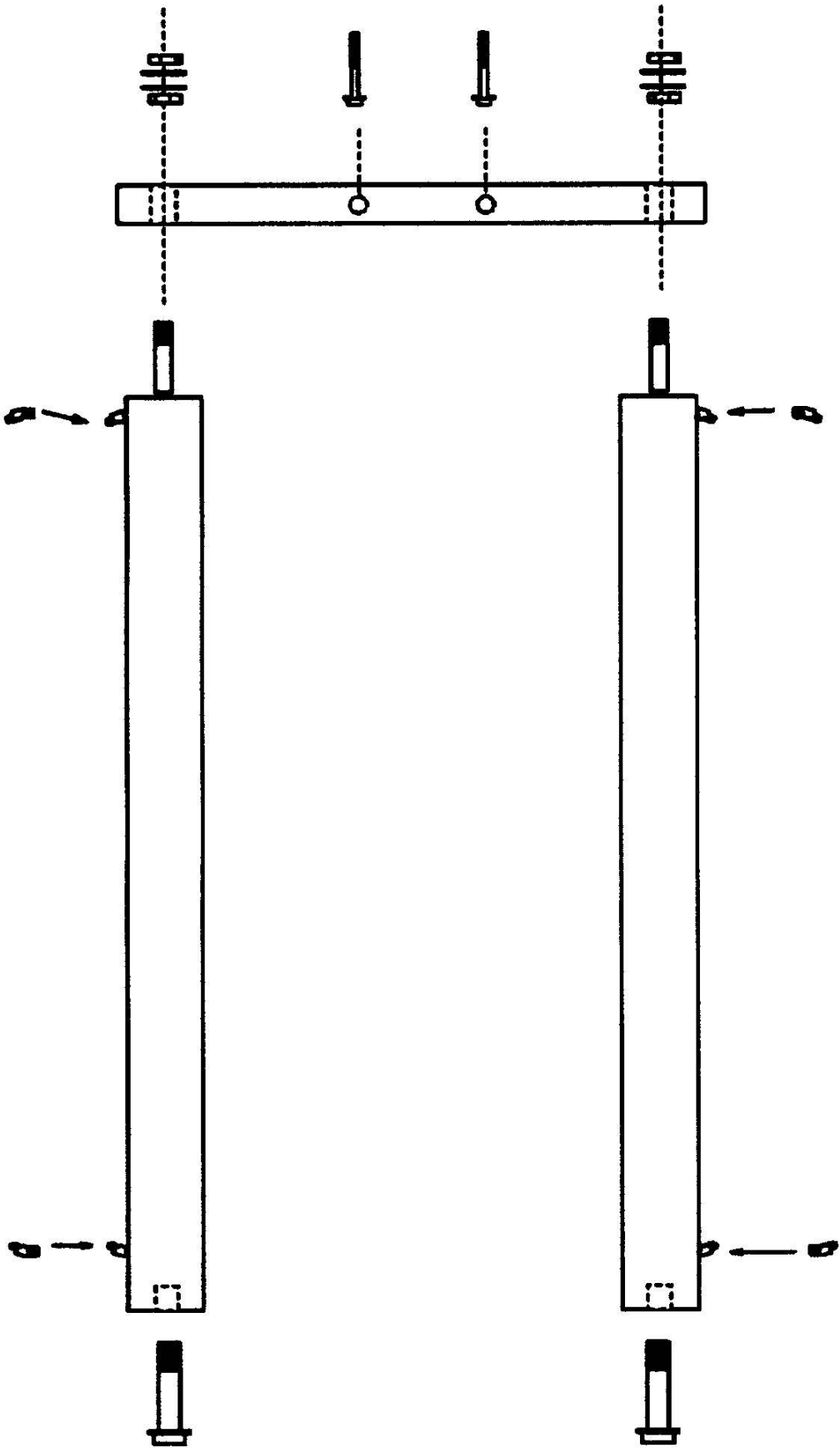
**FIG. 3 FRAME SETUP**



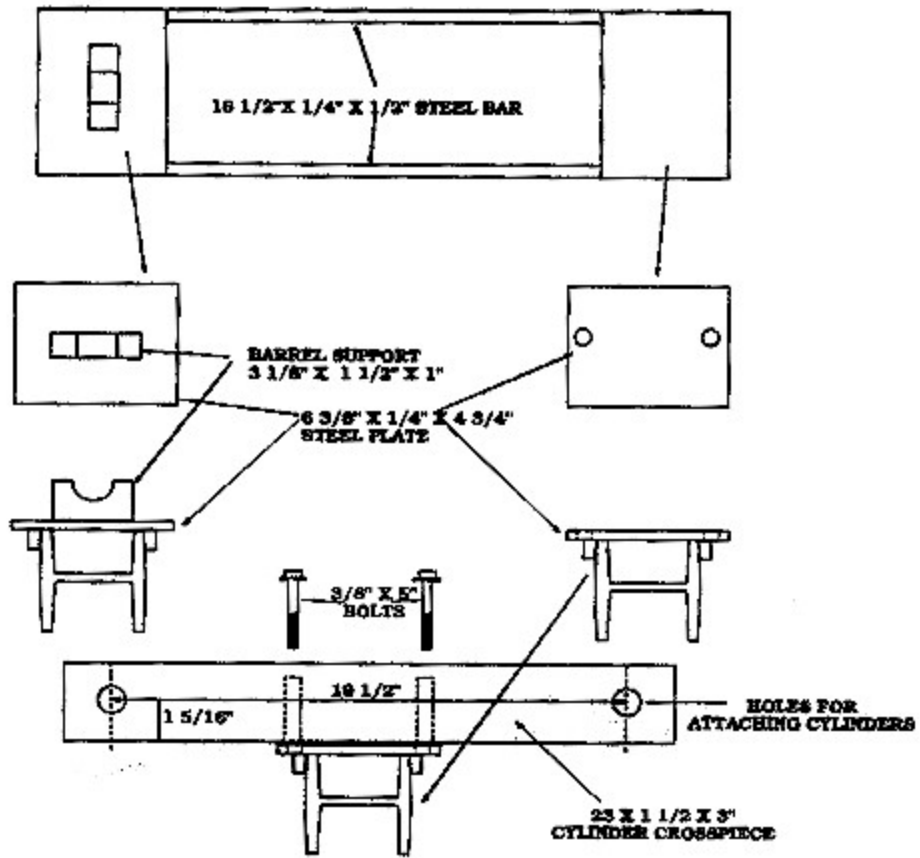
**FIGURE 5 END VIEW**



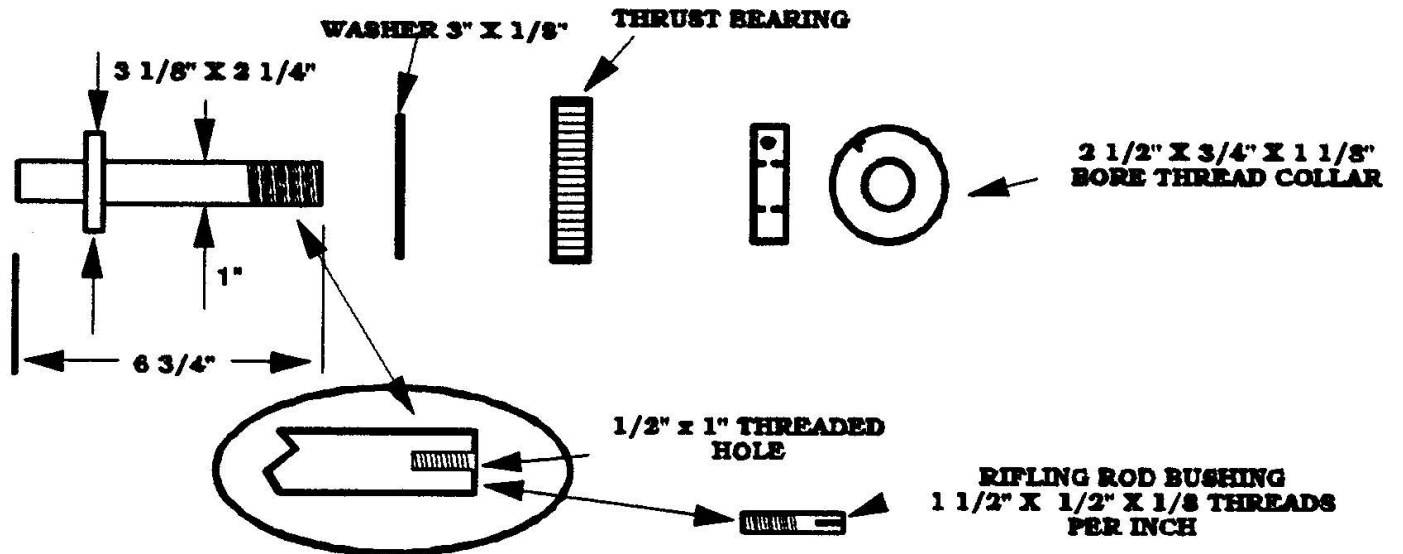
**FIG. 4 CYLINDER END VIEW  
OF FRAME**



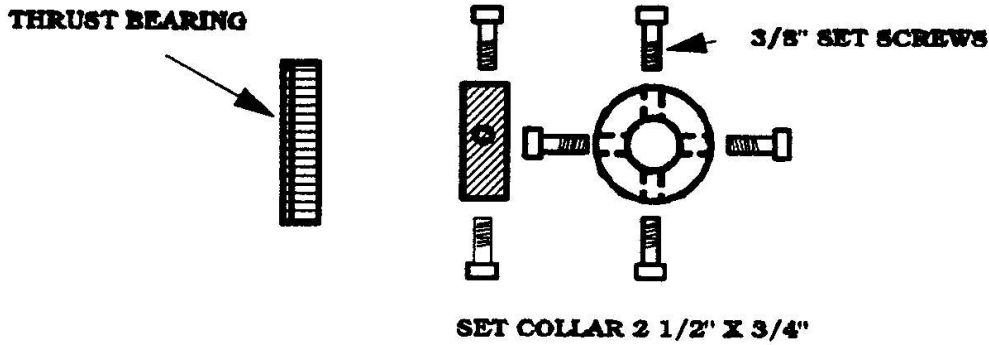
**FIG. 6 CYLINDER SETUP**



**FIG. 7 CYLINDER AND SLIDES**

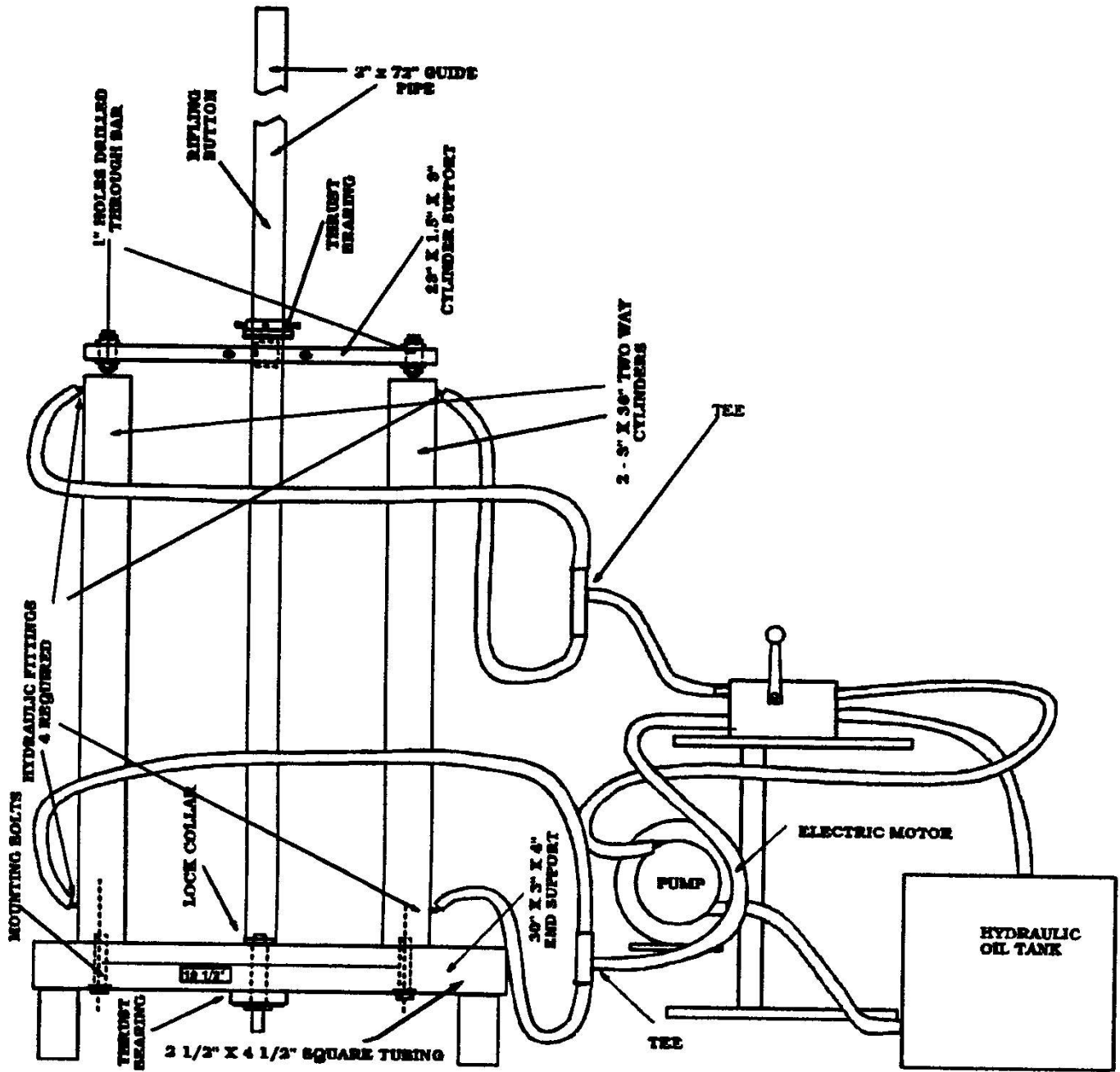


**RIFLING HEAD SHOWING PARTS**

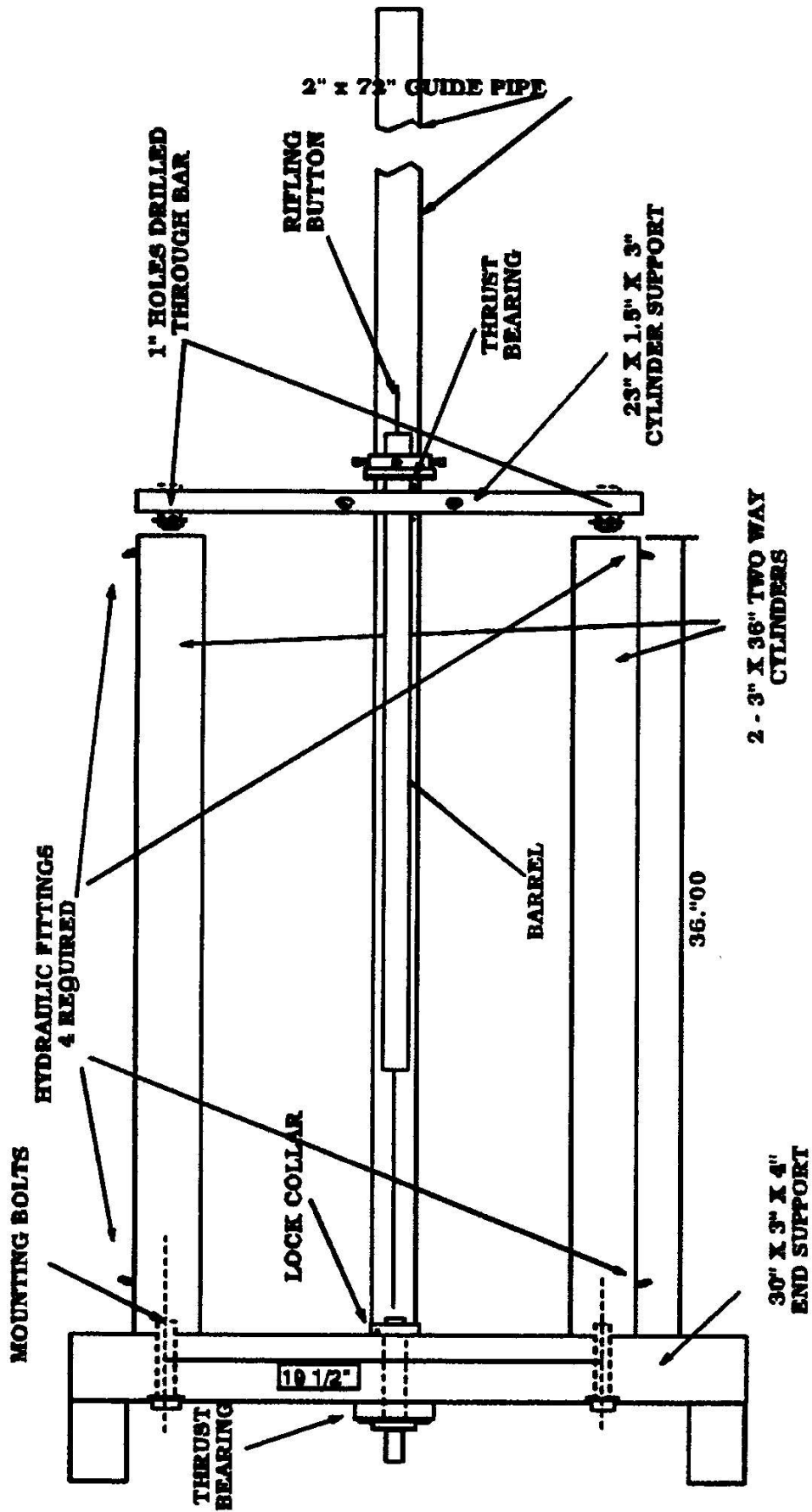


**LOCKING COLLAR AND THRUST BEARING  
FOR HOLDING BARREL**

**FIG. 8 RIFLING HEAD BREAKDOWN**

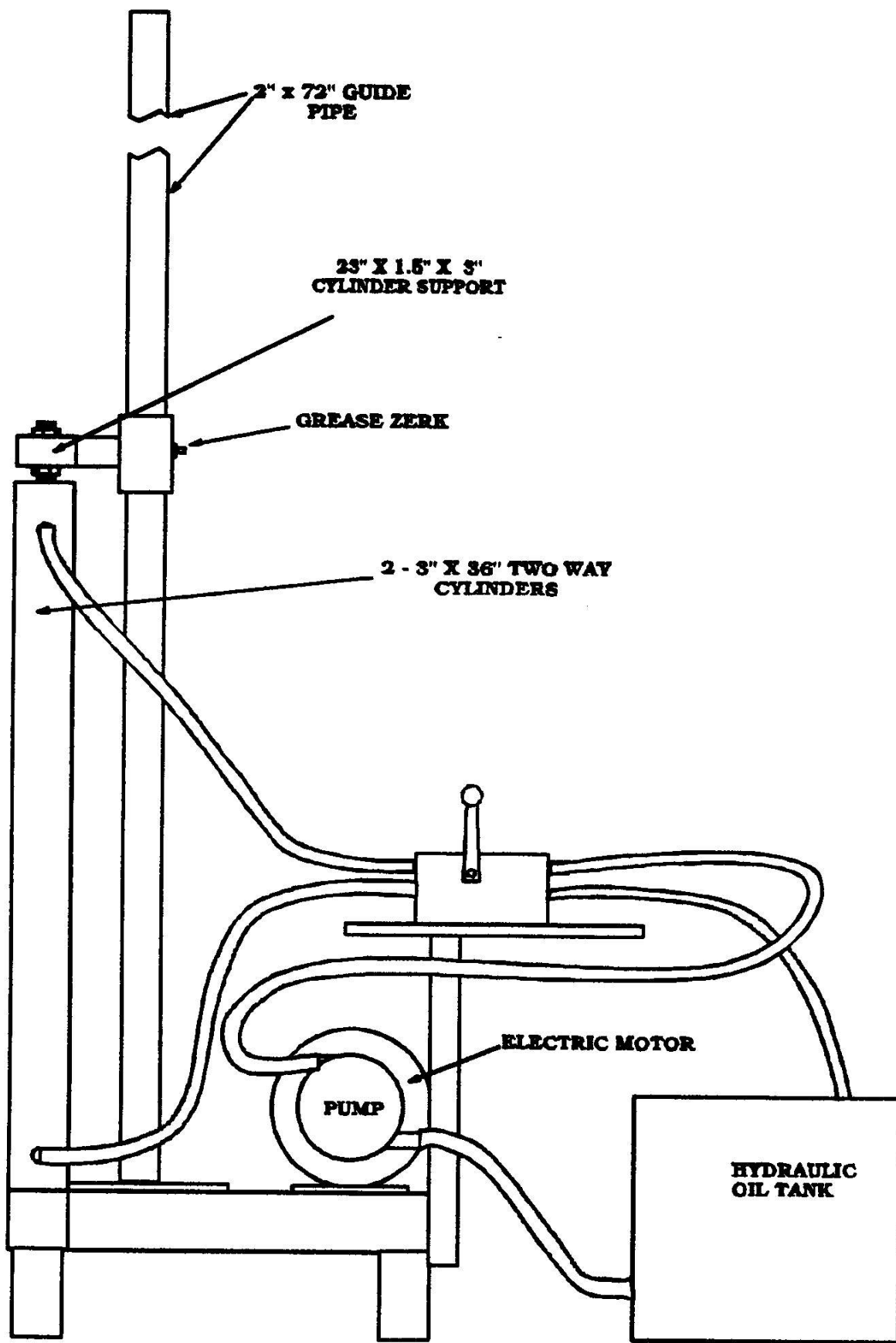


**FIG. 9 TOP VIEW OF HYDRAULIC RIFLING MACHINE**

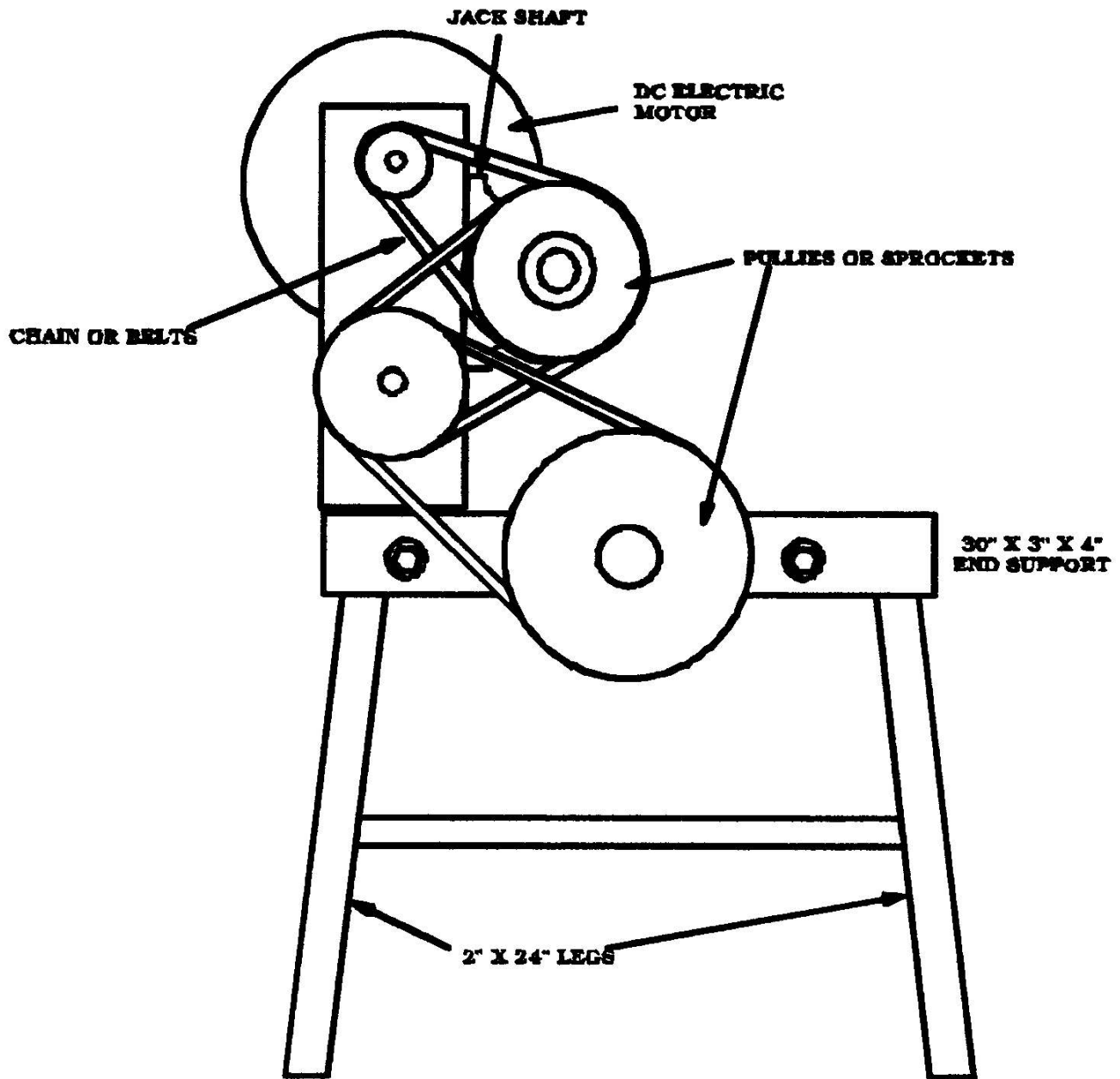


**FIG. 10 TOP VIEW OF HYDRAULIC RIFLING MACHINE**

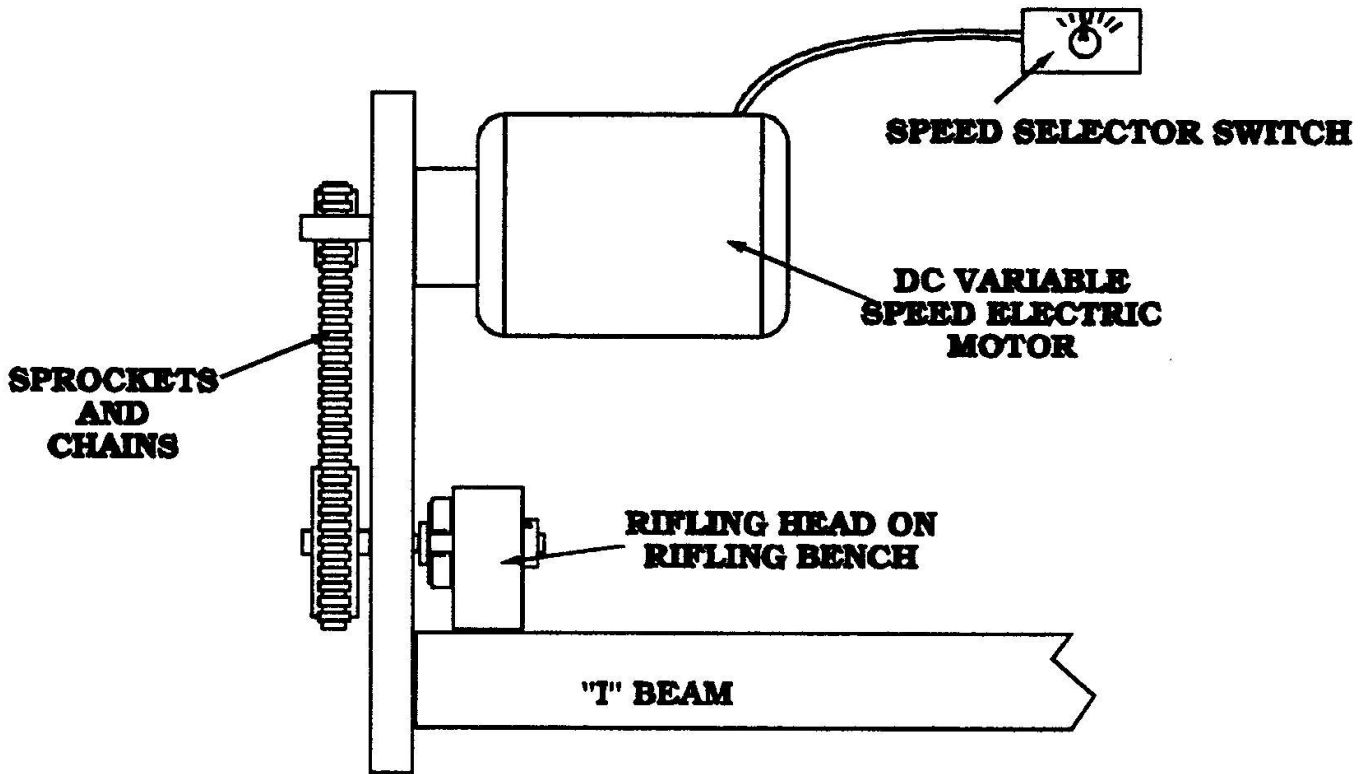




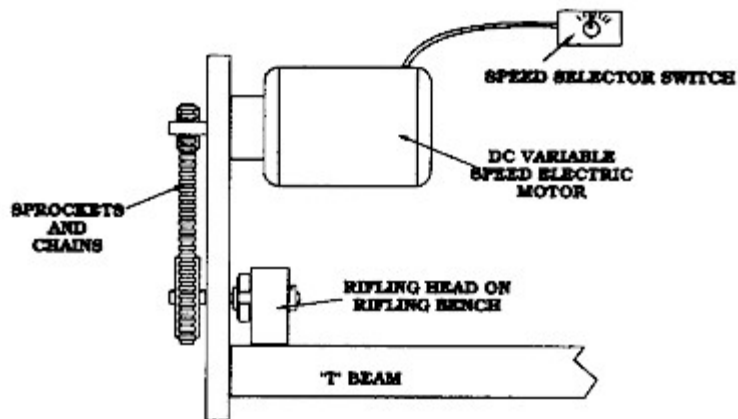
**FIG. 11 VERTICAL RIFLEING MACHINE SIDE VIEW**



**FIG. 12 VIEW OF SPEED REDUCER WITH JACK SHAFT**



**FIG. 13 SPEED REDUCER WITHOUT JACKSHAFT**



**FIG. 13 SPEED REDUCER WITHOUT JACKSHAFT**