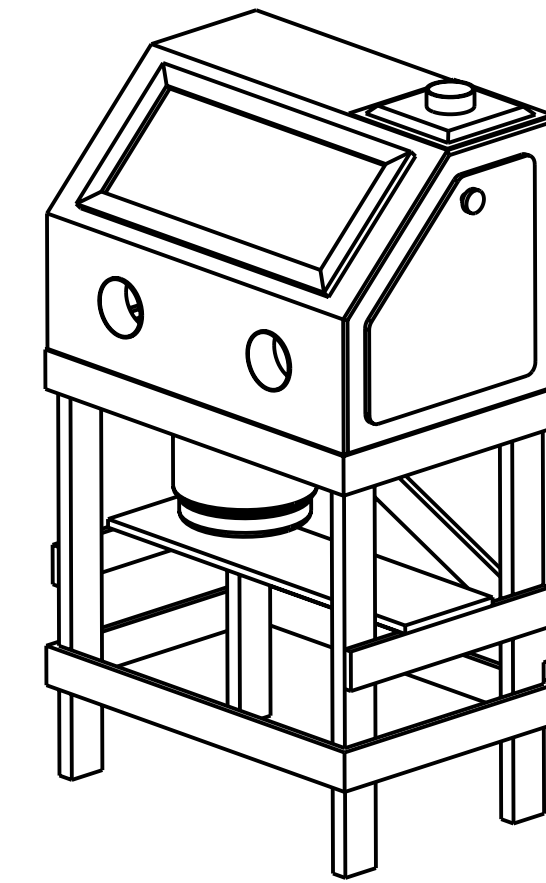
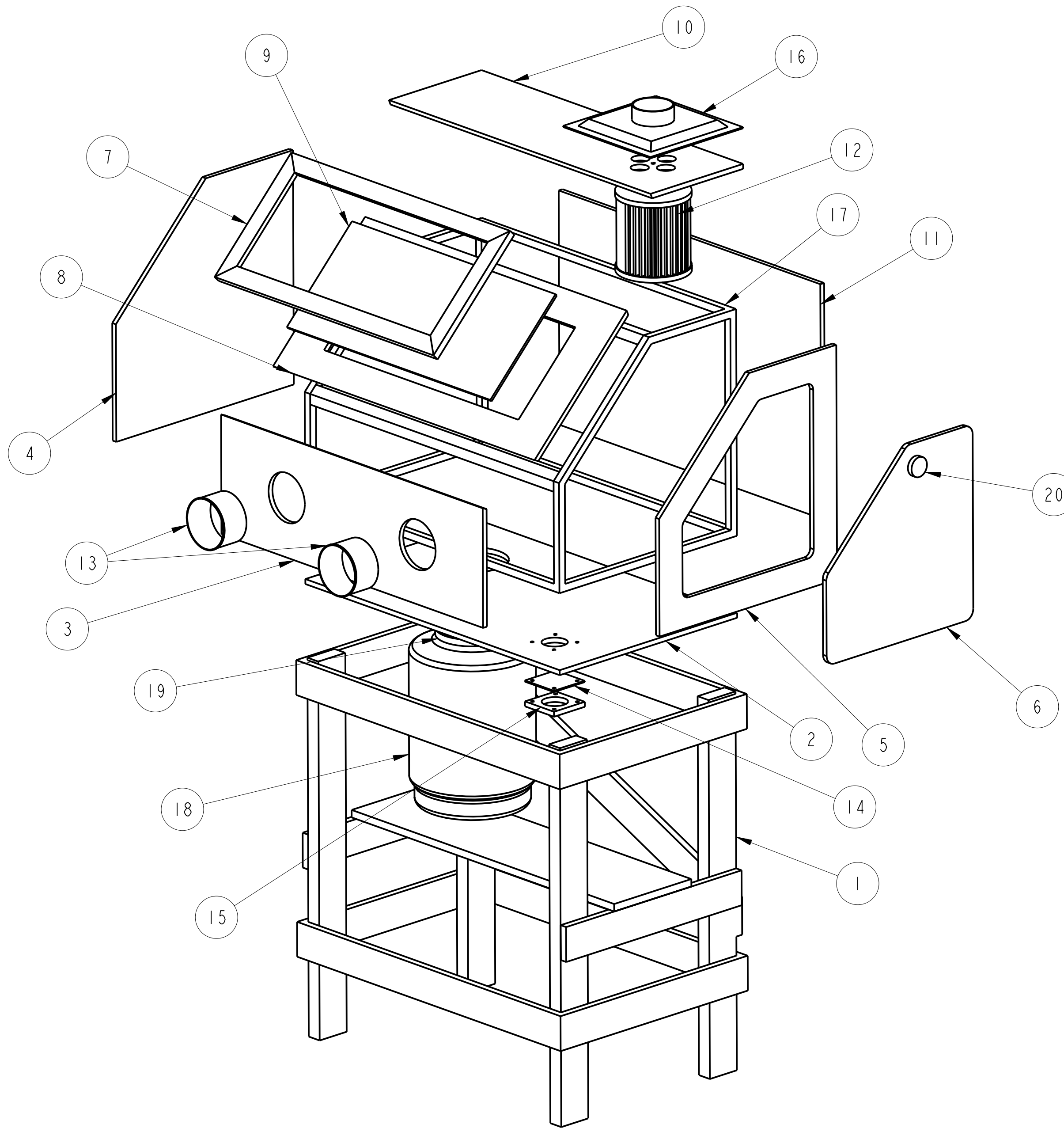


4

3

2

1



SCALE 1/16

DOOR LATCH	20
FOAM RUBBER SEAL	19
SAND BLASTER TANK	18
INDIVIDUAL CORNER BRACES, 15 REQD.	17
DUST COLLECTOR ATTACHMENT	16
SEAL PLATE	15
HOSE SEAL	14
GLOVE PORT	13
AIR FILTER	12
BACK PANEL	11
TOP PANEL	10
GLASS WINDOW	9
WINDOW PANEL	8
WINDOW FRAME	7
DOOR	6
RIGHT END PANEL	5
LEFT END PANEL	4
FRONT PANEL	3
BOTTOM PANEL	2
STAND	1
PART DESCRIPTION	ITEM

RONALD K COLEMAN
COLUMBUS OHIO USA

SAND BLASTING CABINET

4

3

2

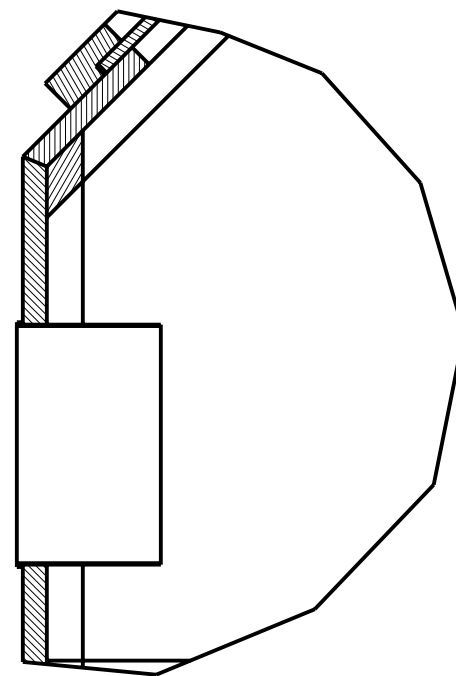
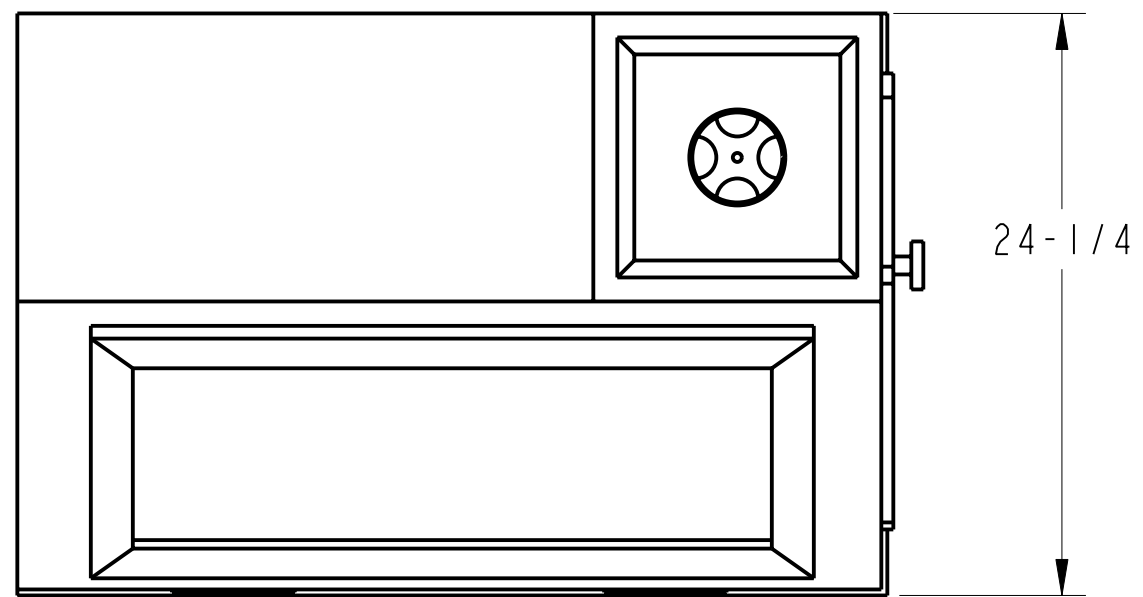
1

4

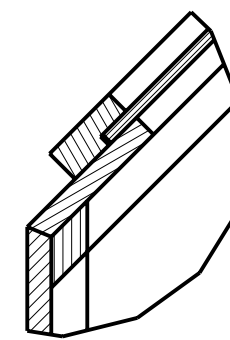
3

2

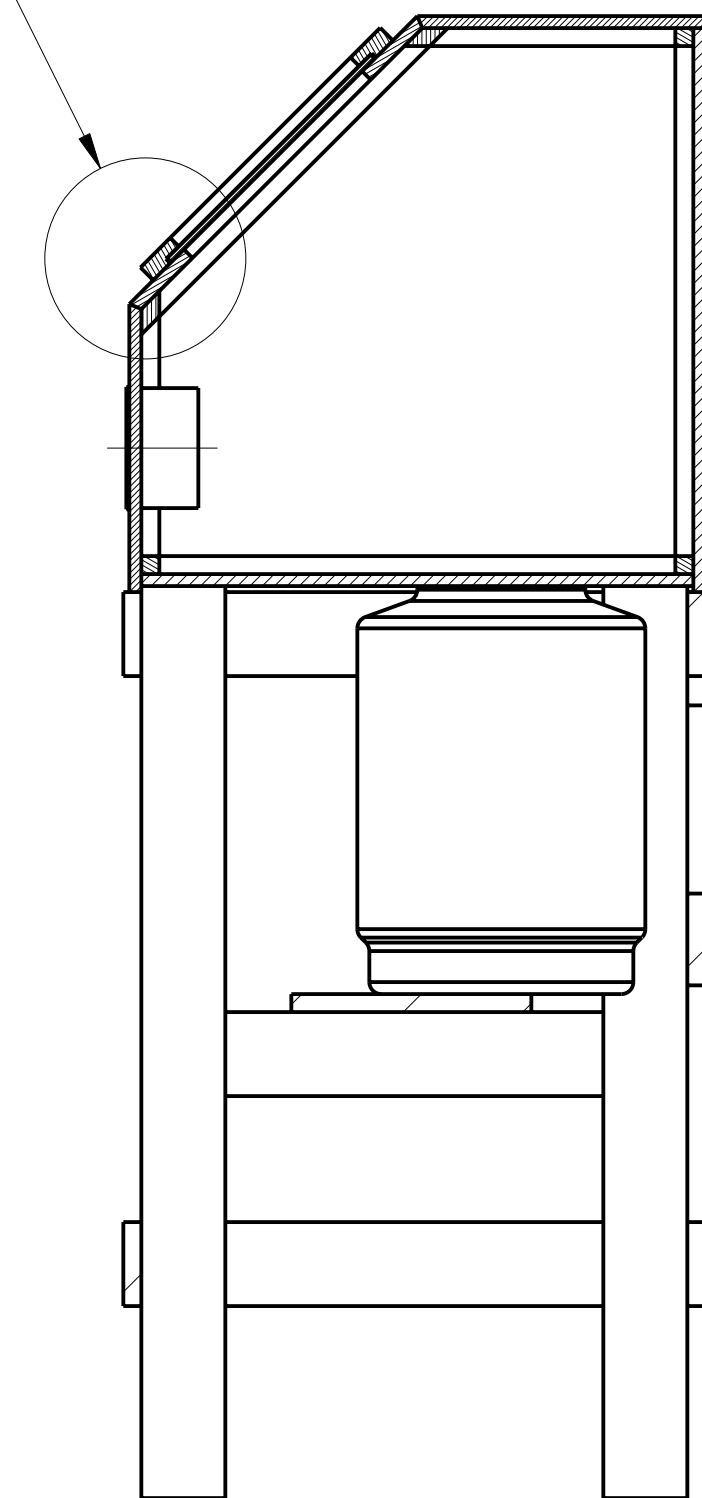
1



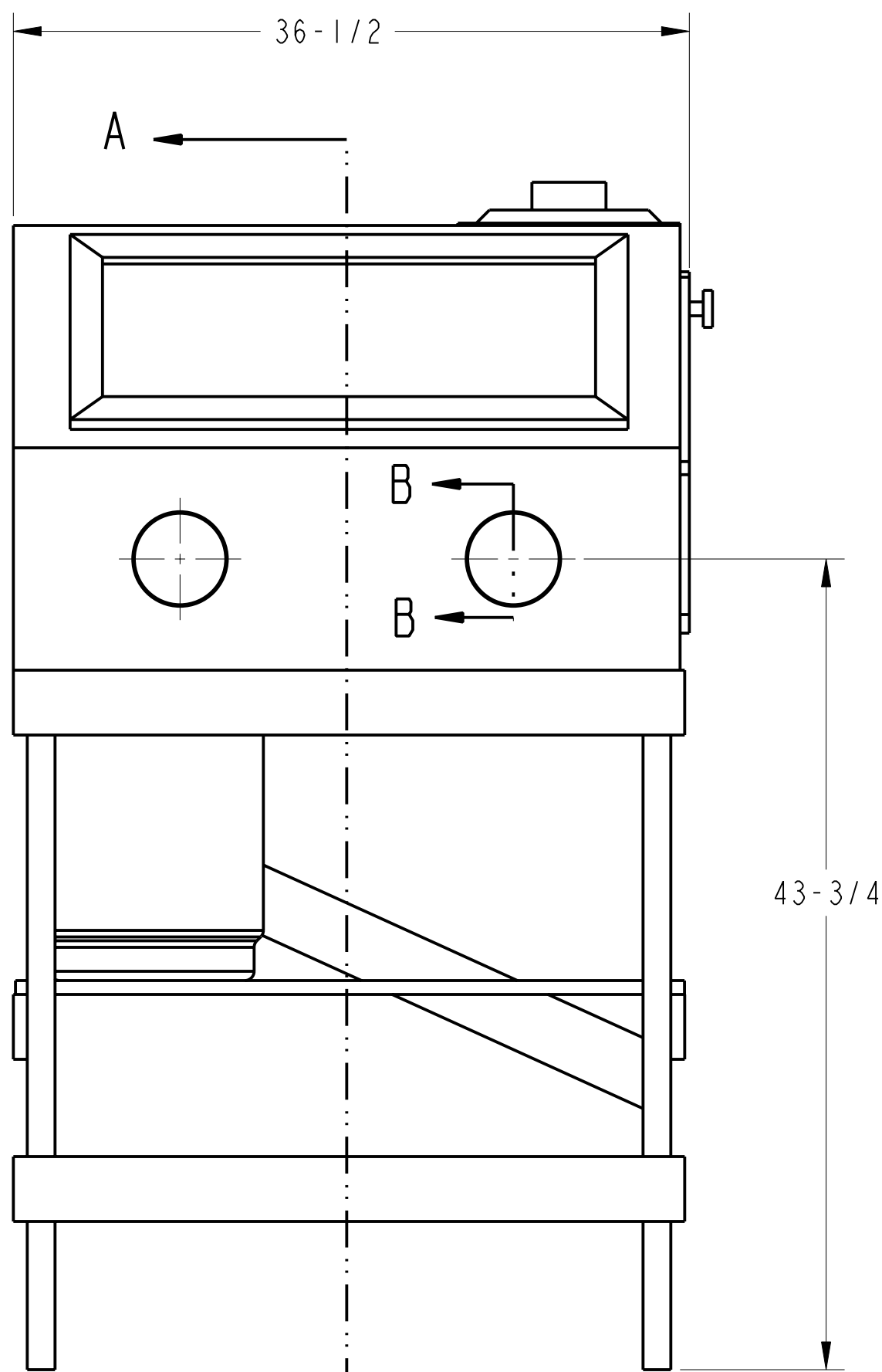
DETAIL Z
SCALE 1/4



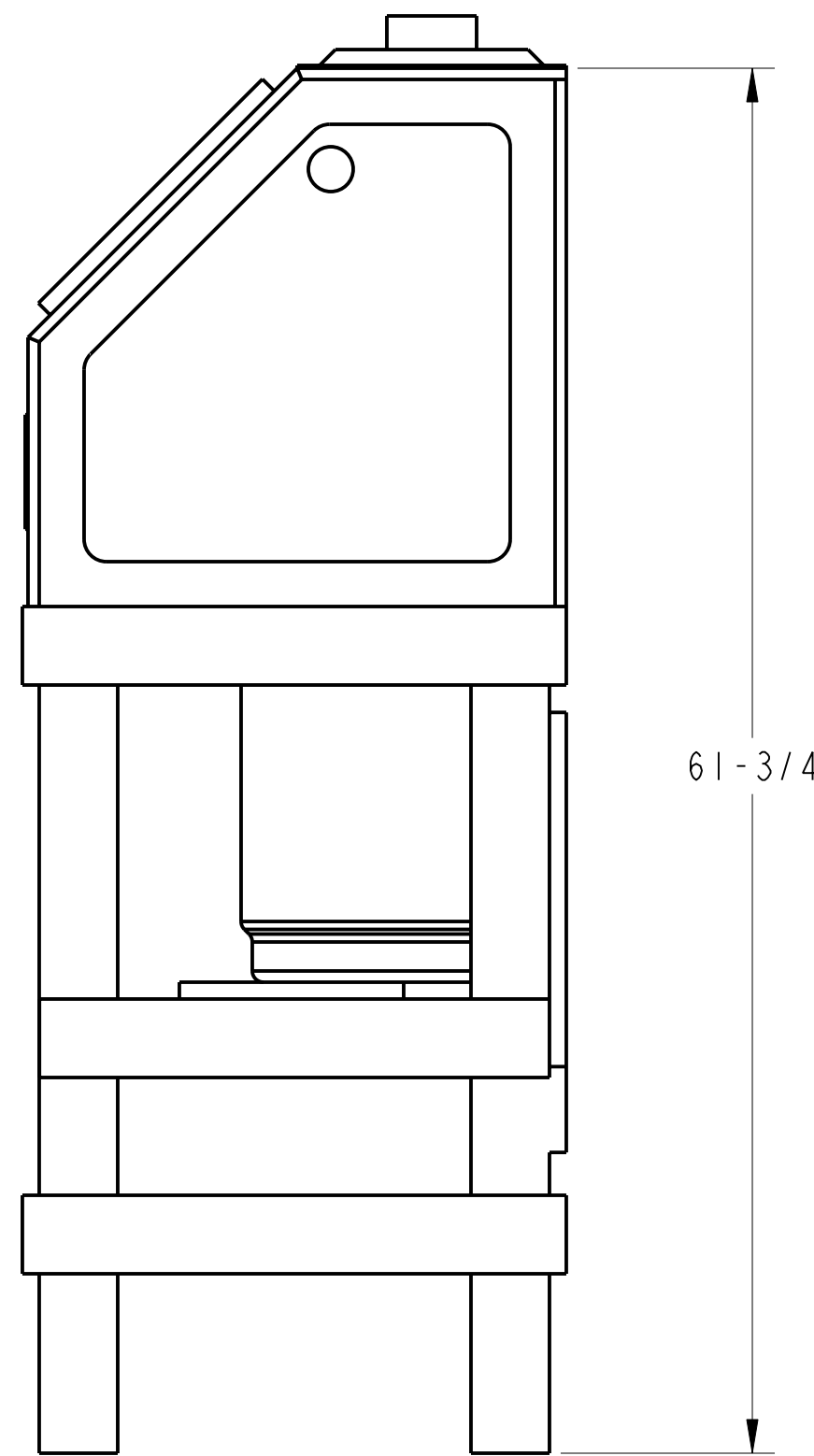
SEE DETAIL Z



SECTION A-A



SECTION B-B
SCALE 1/4



RONALD K COLEMAN COLUMBUS OHIO USA		SAND BLASTING CABINET	
		SHEET 2 OF 6	

4

3

2

1

4

3

2

1

1/2

23-1/2

BACK PANEL

36

1/2

23-1/2

SOLID END PANEL

23

11-9/32

135°

11-25/32

1/2

8

7

Ø7

BOTTOM PANEL

Ø2-1/2

23

5

6

35

11-9/32

R3/4

1/2

23-1/2

11-25/32

135°

DOOR END PANEL

3 TYP

23

67-1/2°

1/2

12

FRONT PANEL

Ø5

6

36

18

9

1/8

4

1/2

1/2

Ø5/16

4

1/2

RUBBER SEAL
SCALE 1/4

1/2

1/2 TYP

4

4x Ø5/16

Ø2-1/2

R1-1/4

SEAL PLATE
SCALE 1/4

RONALD K COLEMAN
COLUMBUS OHIO USA

SAND BLASTING CABINET

SHEET 3 OF 6

4

3

2

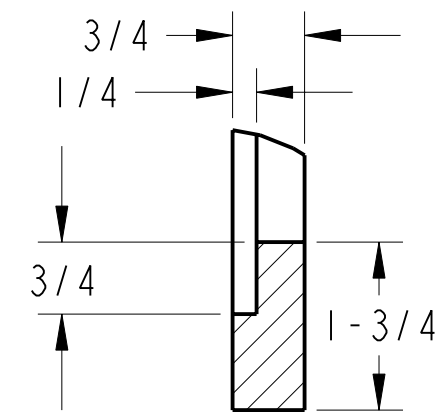
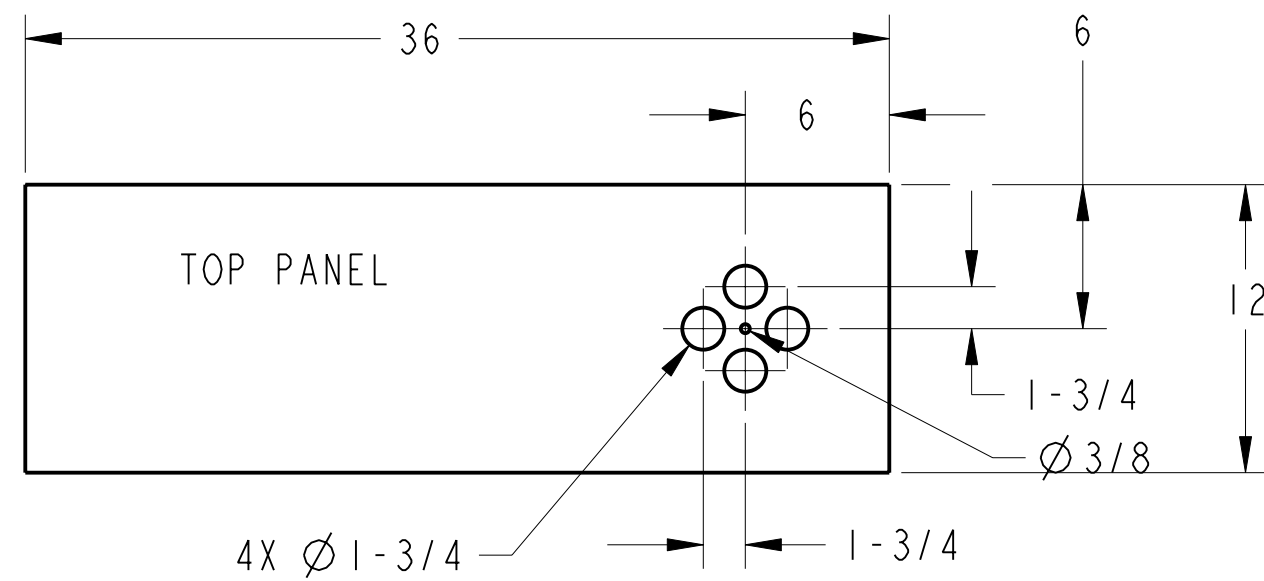
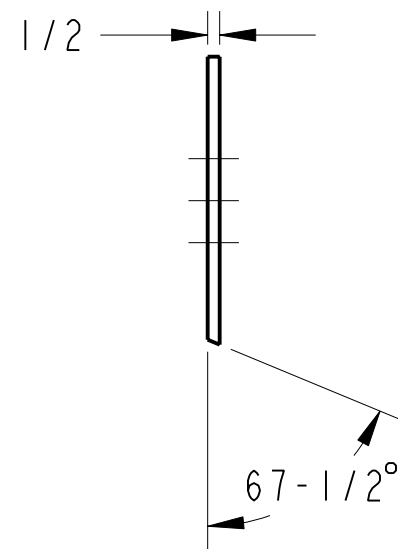
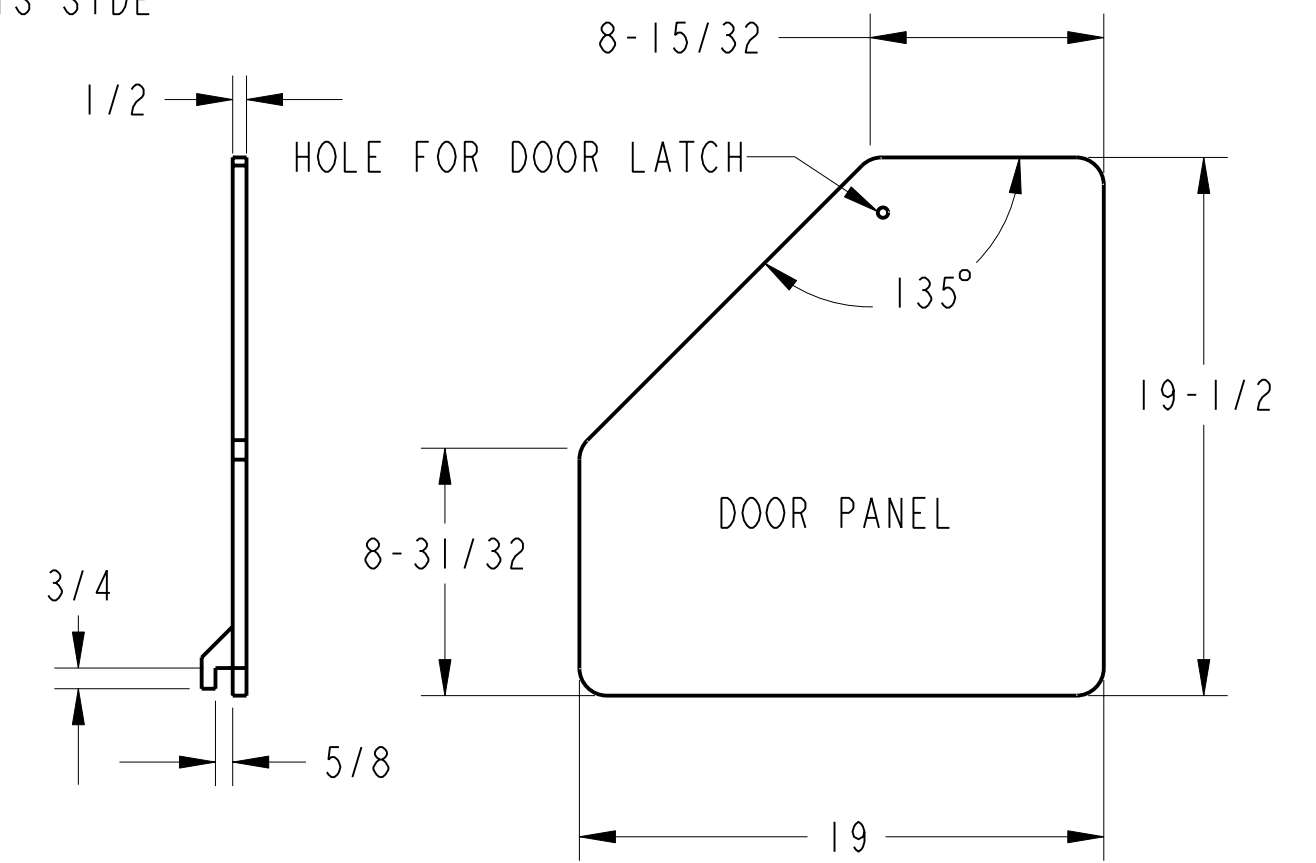
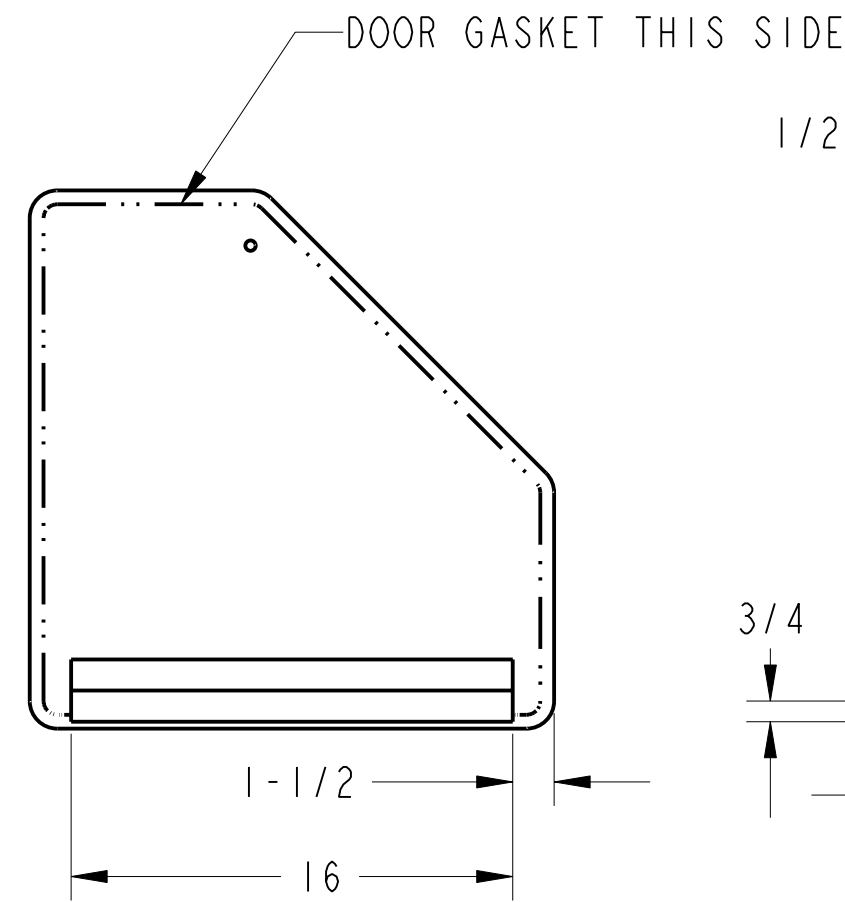
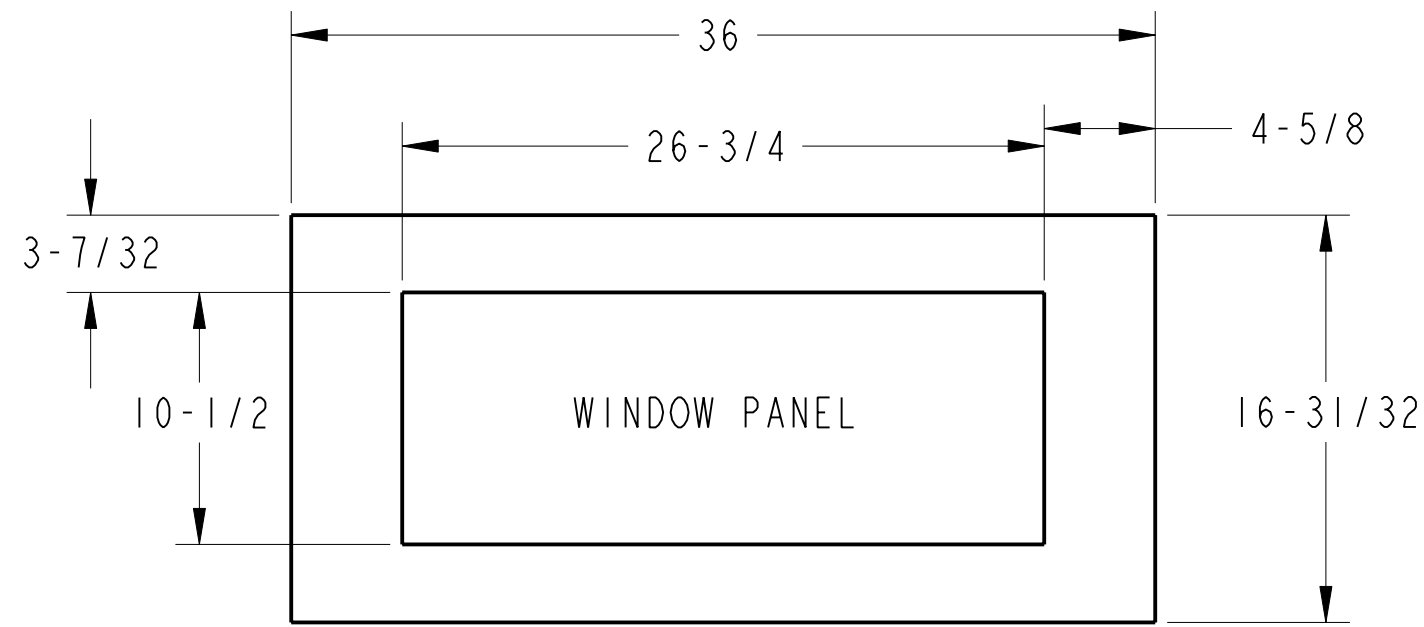
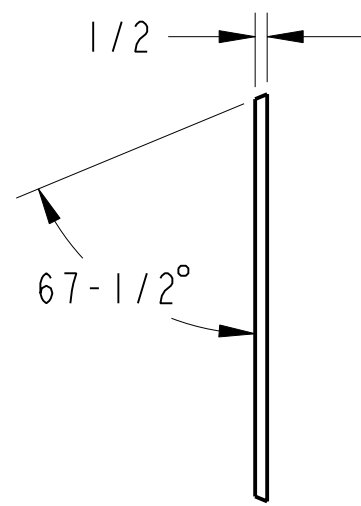
1

4

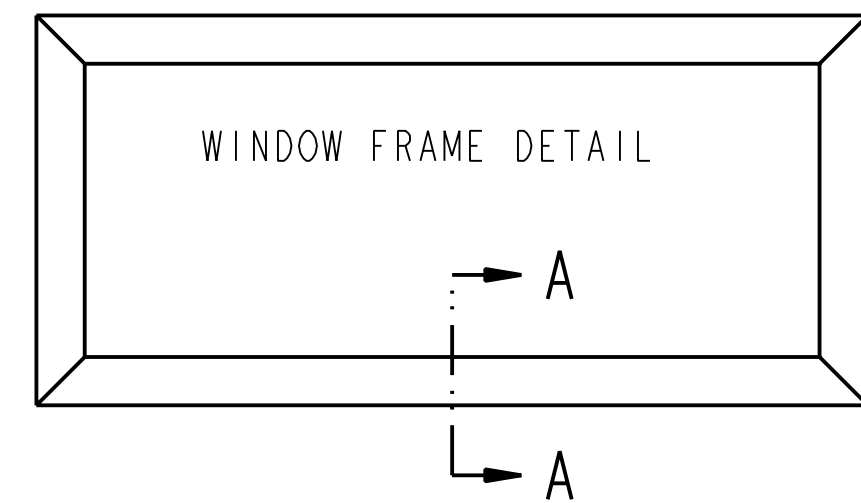
3

2

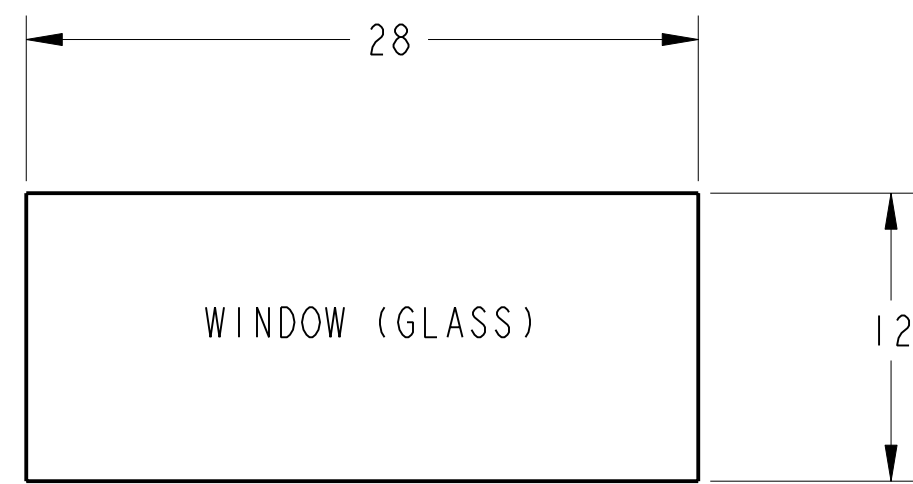
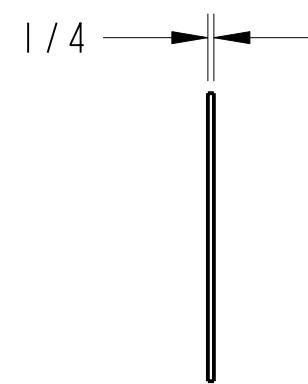
1



SECTION A-A
SCALE 1/2



4 PIECES, MITERED CORNERS



RONALD K COLEMAN
COLUMBUS OHIO USA

SAND BLASTING CABINET

SHEET 4 OF 6

4

3

2

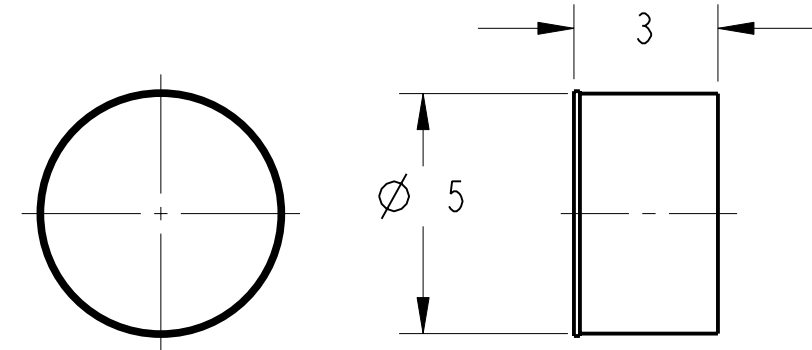
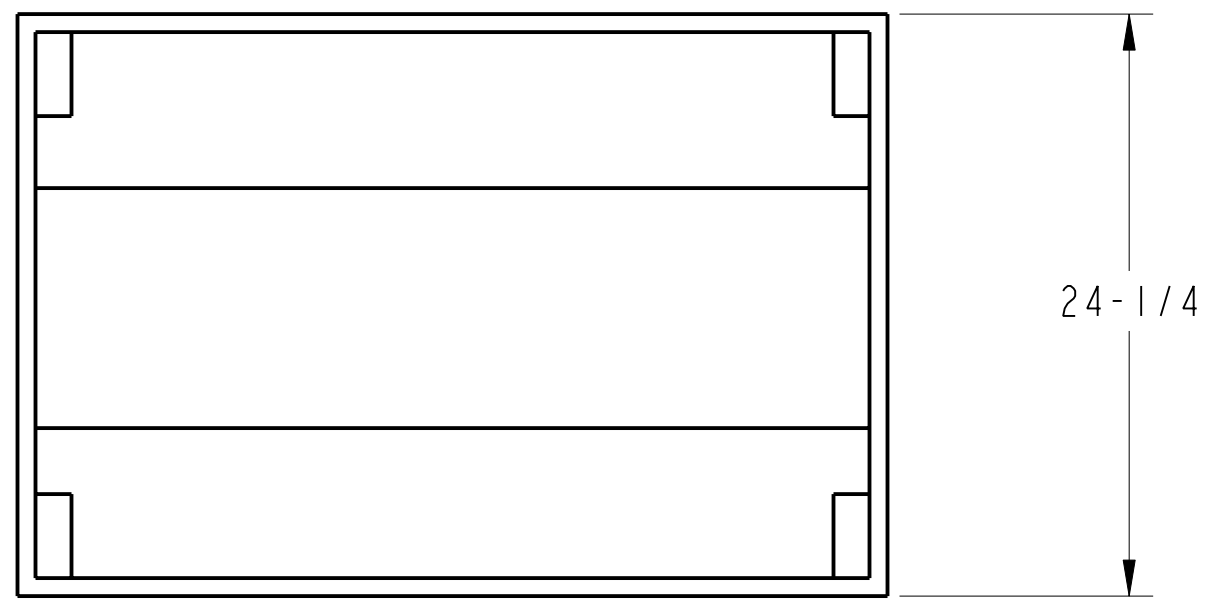
1

4

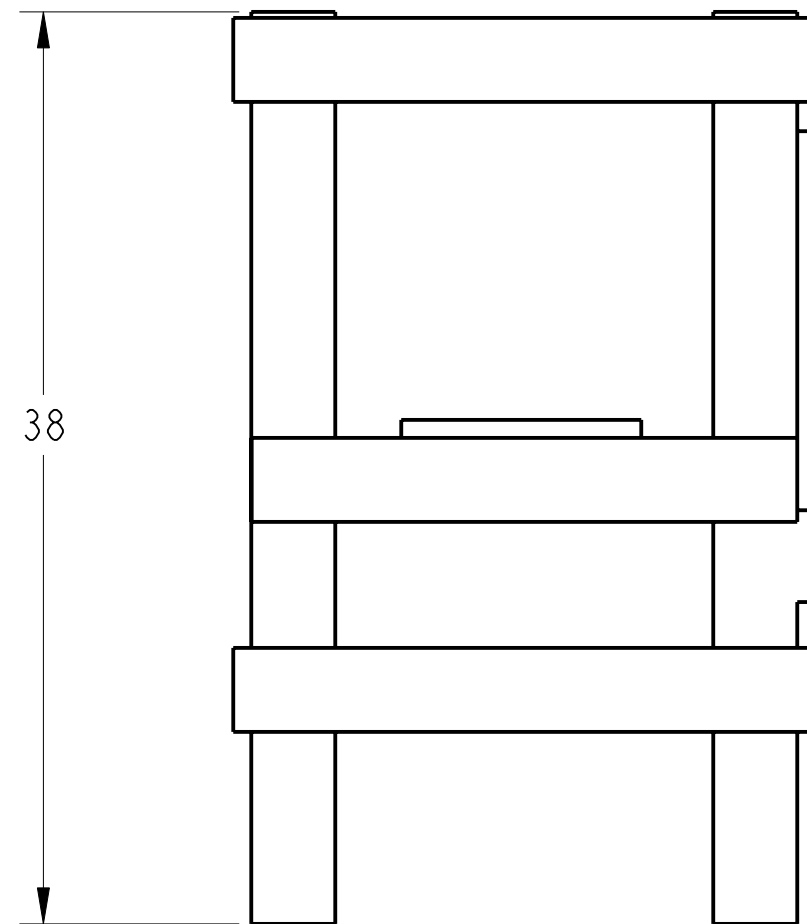
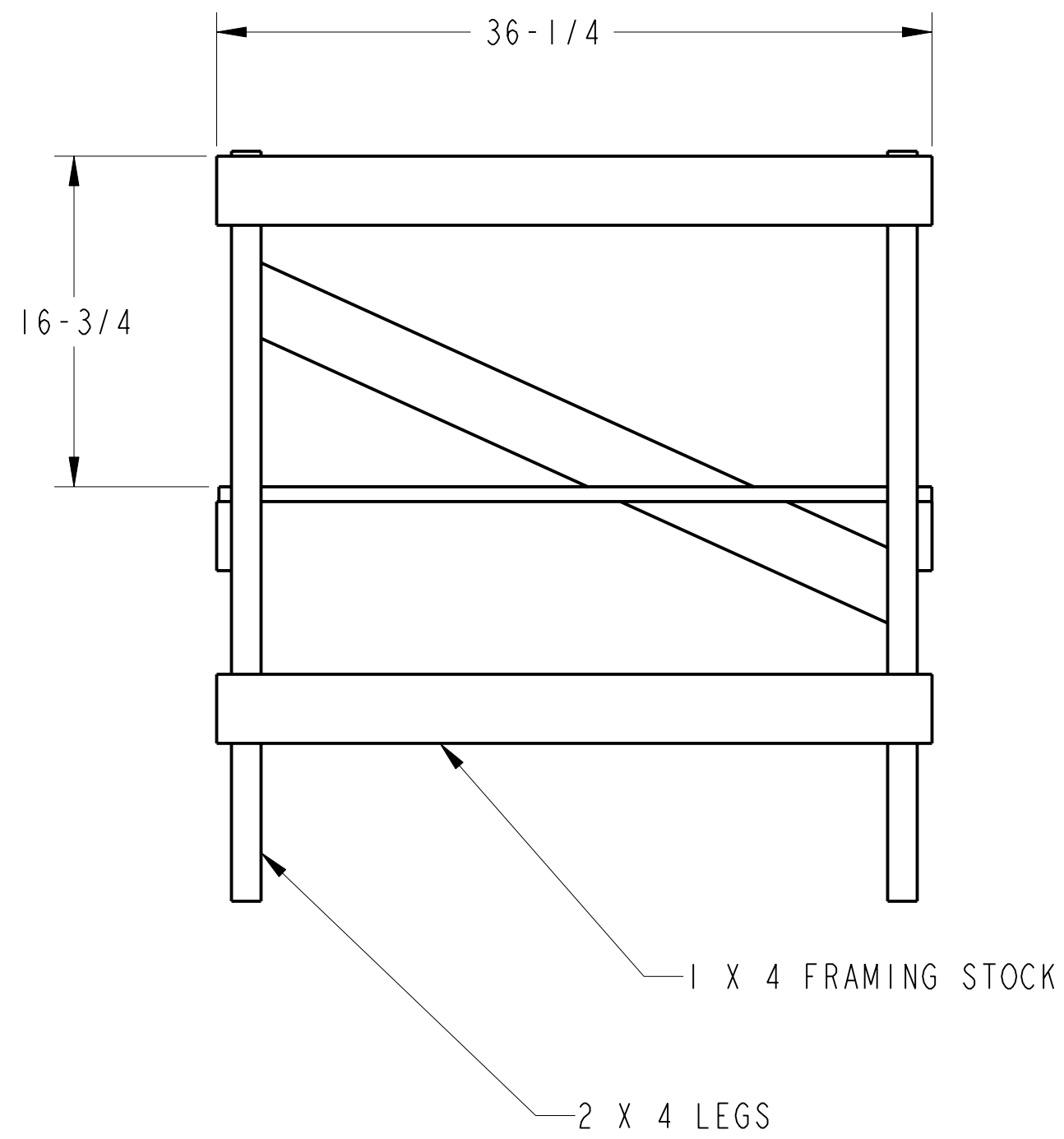
3

2

1



GLOVE PORT DETAIL
SCALE 1/4



FRAME DETAIL
SCALE 1/8

RONALD K COLEMAN
COLUMBUS OHIO USA

SAND BLASTING CABINET

SHEET 5 OF 6

4

3

2

1

CONSTRUCTION NOTES:

The panels of the cabinet are made of 1/2 inch particle board.

All panel joints are reinforced with 3/4 x 3/4 pine strips, these are shown on the drawing as item 17.

Woodworking glue and screws are used on all joints.

Internal seams can be sealed with silicone caulk if needed.

The glove ports are made from a 5 inch diameter coffee can, cut in half. The gloves are attached to the ports using hose clamps.

Gloves for the cabinet were purchased from mscdirect.com and are the economy 6 x 24 size. \$17.95 plus shipping, March 2001

Since the blasting operation pressurizes the cabinet, I have included an air filter and dust collector attachment that can be connected to a shop vacuum to collect the dust. The air filter shown in the drawing is a Cleanstream filter made by Gore and sold at Home Depot and other hardware stores.

The sand blasting gun and tank were purchased from WW Grainger about 15 years ago. I haven't checked to see if they still sell the same style. If the round tank style is not available a 5 gallon bucket could be substituted.

The working height of the glove ports may need to be adjusted to your height, adjust the leg length of the stand as needed. The spacing of the glove ports could also be adjusted.

The glass window can be protected from scratches on the inside with a layer of clear acetate or Mylar.

I didn't include a light in my design, but a packaged fluorescent lamp can be mounted inside.

The door latch can be homemade if you can buy a inexpensive door lock at the hardware. No details have been given for the latch. The door seal is weather stripping available at most hardware stores.

The design of this cabinet was simplified by using my existing sand blasting siphon tank. A conical bottom could be made for the cabinet and used to collect the sand. I just sweep the grit back into the tank with a brush when the cabinet starts getting full.

RONALD K COLEMAN COLUMBUS OHIO USA			
	SAND BLASTING CABINET		
		SHEET 6 OF 6	