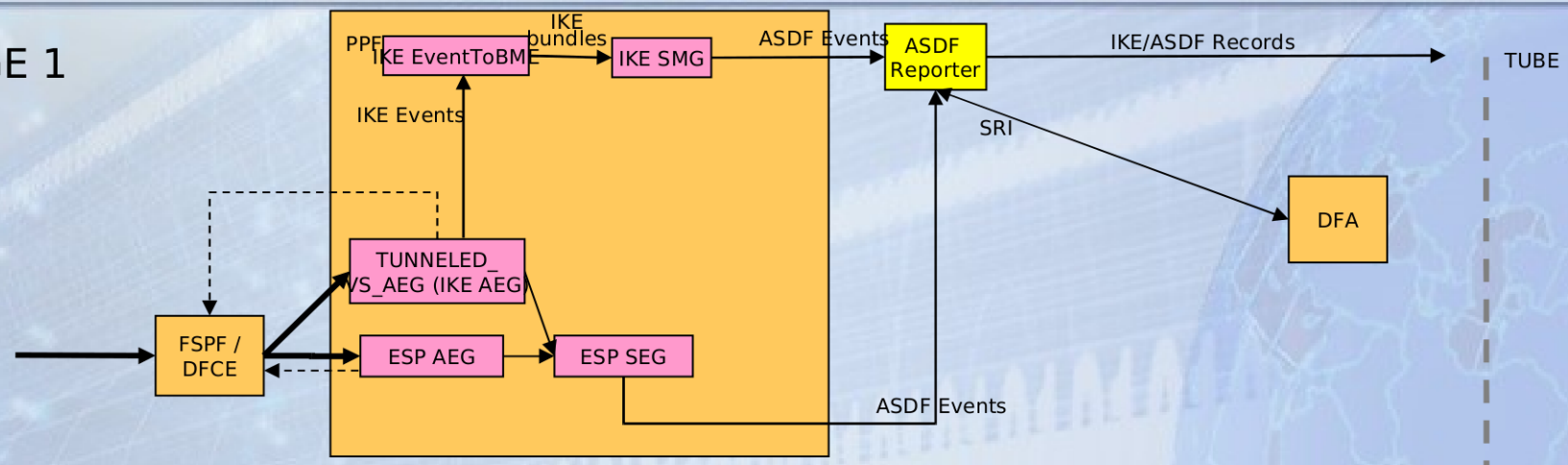


VS MALIBU IKE And ESP Metadata Flows

STAGE 1

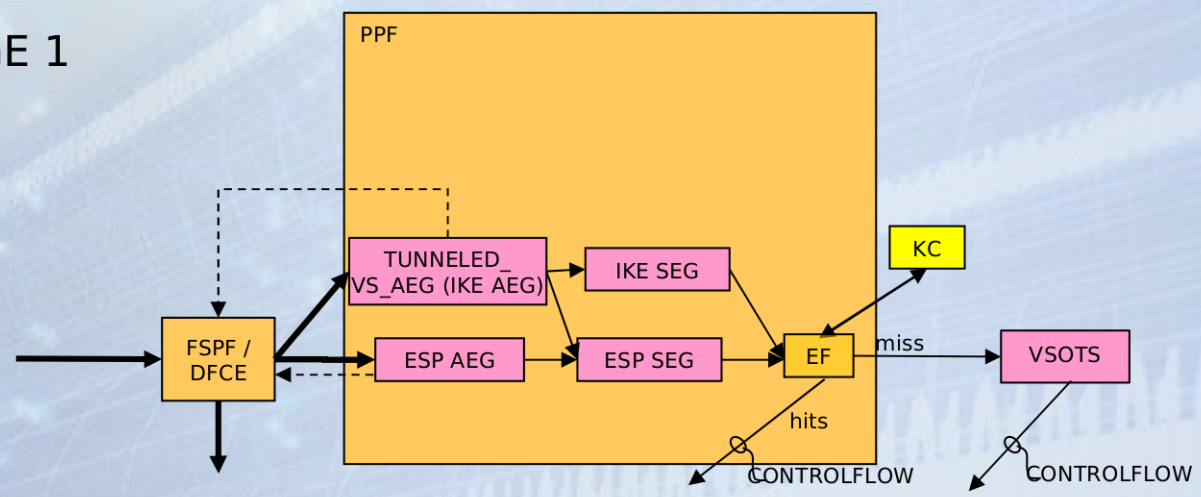


- External components used by TML
- Existing Turmoil Component
- Metadata Components
- New Turmoil Component
- New/modified VS component
- New LONGHAUL component

Figure 3. VALIANTSURF Redesigned Metadata Flow

VS MALIBU Transform Flow PPF

STAGE 1

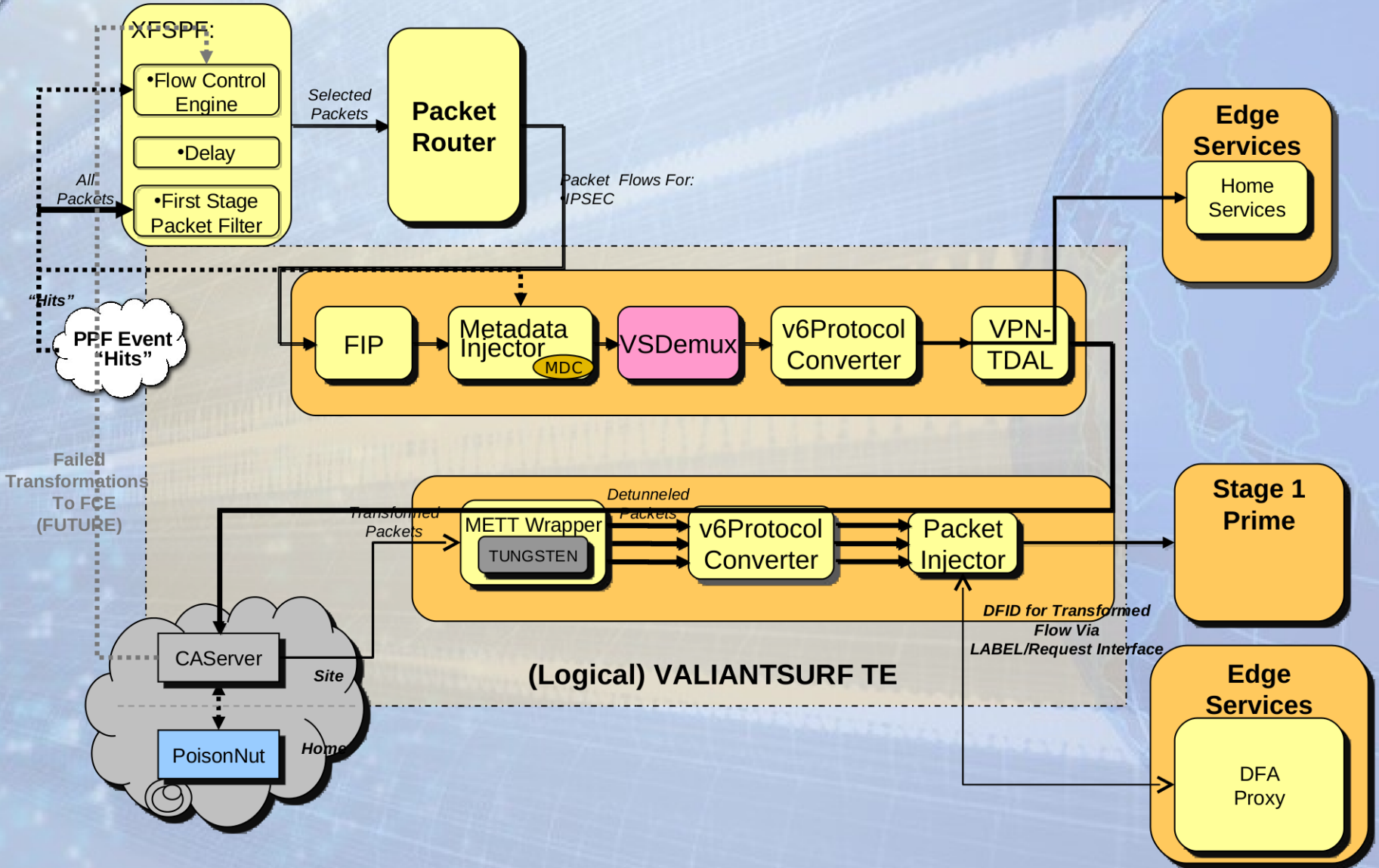


External components used by TML

- Existing Turmoil Component
- New Turmoil Component
- New/modified VS component
- New LONGHAUL component

Figure 1. VALIANTSURF Redesigned Software Decrypt Flow

TURMOIL Stage 1 (Logical) VALIANTSURF TE



TURMOIL Stage 1 Prime VALIANTSURF Survey TE

